



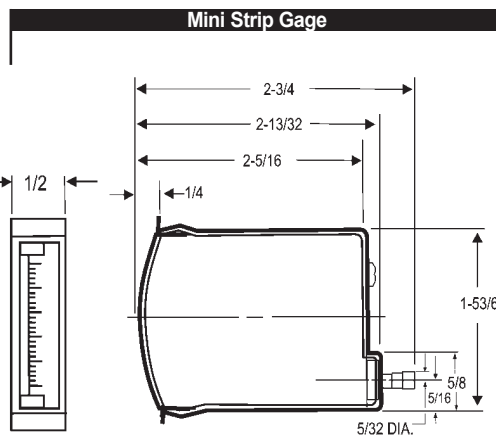
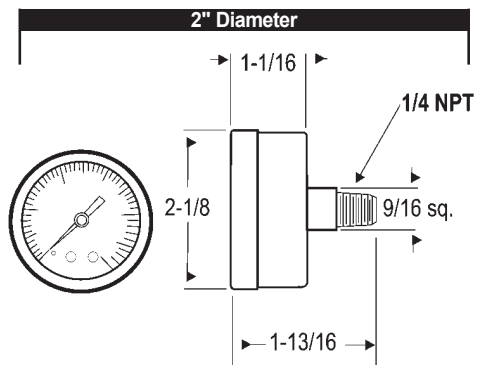
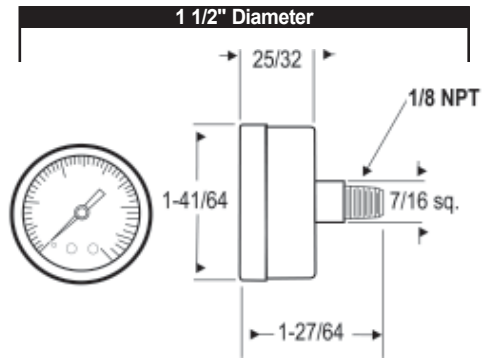
Features

- Round Gages are available in 7 ranges with a maximum of 400 psig.
- Mini Strip Gages are available in 4 ranges with a maximum of 100 psig.
- Receiver Gages are graduated from 0 to 100% for a 3 to 15 psig transmission range.
- 1 1/2" Gages have a 1/8" NPT center back connection.
- 2" and 3 1/2" Gages have a 1/4" NPT center back connection.
- 1/2" Mini Strip Gages have a 1/8" hose barb connection.

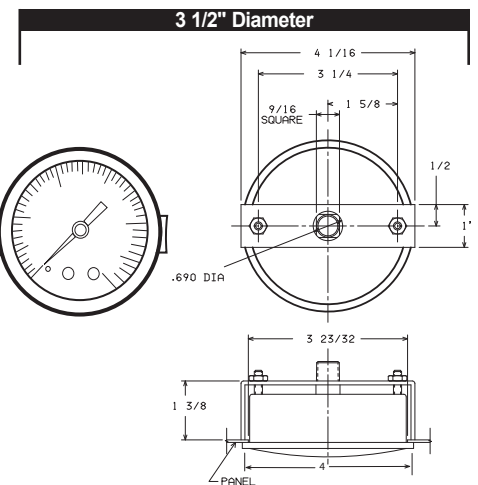
Operating Principles

The Fairchild line of 1 1/2", 2", and 3 1/2" diameter gages are designed for general use in applications that use gas or liquid medium that is compatible with the brass and brass alloy components in the gage.

Mini Strip Gages are designed for use in small panel mount applications. Both gage styles include a receiver gage configuration designed for the pneumatic transmission of process variables.



NOTE: Panel cutout dimension 1.87 x .515



NOTE: Panel cutout dimension 3-23/32 dia.

Pressure Gages

Specifications

Gage Accuracy

Round Gages

Lower Third	± 3%
Mid Scale	± 2%
Upper Third	± 3%
Mini Strip Gages	5% full scale

Standard Gages

Diameter	1-1/2"	2"	3-1/2"
Connection	1/8" NPT	1/4" NPT	1/4" NPT
Mounting	Direct	Direct	Panel

Mini-Strip Gages

Connection	1/8" Hose
Mounting	Panel (Vertical or Horizontal)

Materials of Construction

Standard Gages	Aluminum, Phosphur Bronze & Stainless Steel
Mini-Strip Gages	Zinc Plated Steel & Brass

WARNING:

In order to reduce the risk of injury or damage resulting from improper use or application of pressure gages, persons selecting and installing these devices should consult ANSI B40, which can be obtained from ASME (American Society of Mechanical Engineers). When selecting a gage, consider the following factors:

- 1. PRESSURE** - Gage range should be about twice the intended operating pressure. Do not apply pressure beyond top of scale.
- 2. VIBRATION** - Isolate the gage from excessive vibration, which could cause movements wear and loss of accuracy.
- 3. PULSATION** - Considers a pulsation dampening device or a liquid-filled gage to protect against fatigue failure of the pressure element or rapid movement wear.
- 4. TEMPERATURE** - Do not position the gage near sources of extreme heat, which might cause long term creep of soldered joints and eventually failure.
- 5. PROCESS** - Materials and parts under pressure should be resistant to the process fluid. This may require a diaphragm seal or a different pressure element material.

Consult the recommendations of ANSI B40 when selecting gages for high pressure gas or potentially hazardous services, such as Oxygen. Use only aluminum socket gages on air or oil.

Catalog Information

Catalog Number

1-1/2", 2", 3-1/2" Diameter

Gage Size

1-1/2"	15
2"	20
3-1/2"	35

Pressure Range

psig	BAR	(kPa)	
0-15 ^{1,2,3}	[0-1.0]	(0-100)	2
0-30 ^{1,2,3}	[0-2.0]	(0-200)	3
0-60 ^{1,2,3}	[0-4.0]	(0-400)	4
0-100 ^{1,2,3}	[0-7.0]	(0-700)	5
0-160 ^{2,3}	[0-11.0]	(0-1100)	6
0-300 ²	[0-21.0]	(0-2100)	7
0-400 ²	[0-28.0]	(0-2800)	8

Pipe Size

1/8" NPT ¹	1
1/4" NPT ^{2,3}	2

Gage Type

Receiver ^{3,4} (Graduated 0-100%)

R

¹ Available on 1-1/2" Gages.

² Available on 2" Gages.

³ Available on 3-1/2" Gages.

⁴ Available on 15 psig, [1.0 BAR], (100 kPa) Only.

Catalog Number

Mini Strip

Pressure Range

psig	BAR	(kPa)	
0-15	[0-1.0]	(0-100)	2
0-30	[0-2.0]	(0-200)	3
0-60	[0-4.0]	(0-400)	4
0-100	[0-7.0]	(0-700)	5

Connection

1/8" Hose

2

Gage Type

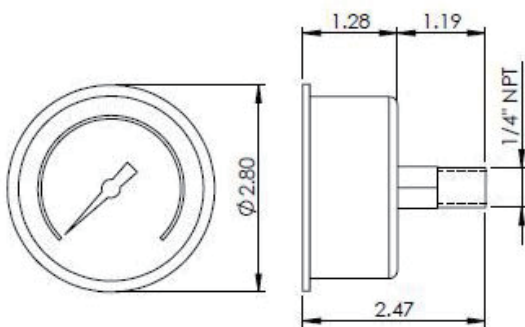
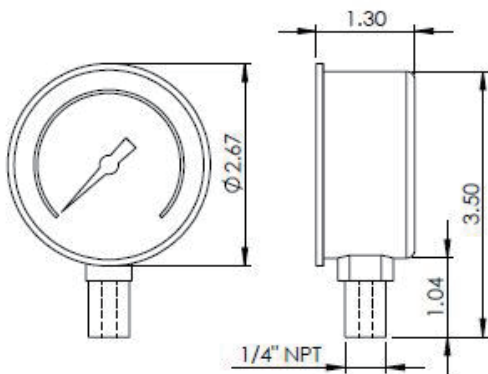
Plain Vertical	PV
Plain Horizontal	PH
Receiver Vertical ¹ (Graduated 0-100%)	RV
Receiver Horizontal ¹ (Graduated 0-100%)	RH

¹ Available on 15 psig, [1.0 BAR], (100 kPa) Only.

All Stainless Mount Gauge

Specifications

Dial	2 1/2" (63 mm)
Case	Stainless Steel, Welded case-to-stem connection
Wetted Parts	316 Stainless Steel
Bezel	Stainless Steel, Fixed
Lens	Polycarbonate
Pointer	Black Aluminum
Connection	Lower or Back, 1/4" NPTF
Scale	Standard: psi/BAR (x 100 = kPa)
Accuracy	2-1-2% of Span
Ambient Temp	-30°F to +180°F Dry 30°F to +150°F Filled



Ordering information

Catalog Number **G25S**

Glycerine Filled **F**
 Dry **D**
 Dry, O₂ Clean **X**

Mounting:

Back **B**
 Lower **L**

Pressure Ranges:

30-0" VAC	A
30-0-15 VAC/psi	CB
30-0-30 VAC/psi	CC
30-0-60 VAC/psi	CD
30-0-100 VAC/psi	CE
30-0-150 VAC/psi	CF
30-0-300 VAC/psi	CH
0-15 psi	B
0-30 psi	C
0-60 psi	D
0-100 psi	E
0-160 psi	F
0-200 psi	G
0-300 psi	H
0-400 psi	I
0-600 psi	K
0-1000 psi	M
0-1500 psi	N
0-2000 psi	O
0-3000 psi	P
0-5000 psi	R
0-6000 psi*	S
0-10,000 psi	U
0-15,000 psi	V



Pressure Gauges

*Not Available on Back Mount Gauge